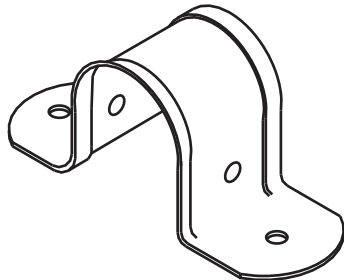




P.O. Box 3365 South El Monte, CA 91733 626.444.0541 Fax 626.444.3887 www.Afcon.org

510

CPVC - COPPER - STEEL HANGER/RESTRAINER



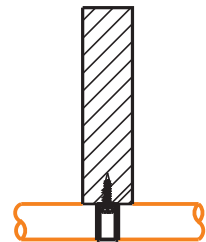
ALTERNATIVE FOR
#500 Pipe Strap

SIZE - SYSTEM PIPE: 3/4" thru 3"
MATERIAL - Carbon Steel.
FINISH - Mil. Galvanized.
LISTING/APPROVAL -

510 SIZE	Fastener Dim. C - C
3/4	2.125
1	2.312
1 1/4	3.170
1 1/2	3.400
2	4.010
2 1/2	4.320
3	5.320

203 - EX 4231, EX 2551

FUNCTION - Support horizontal piping: CPVC, Copper or Steel.
Hanger for steel pipe at 15' spacing per NFPA 13.
Size 3/4" - 2" Prevents upward movement of pipe from pendent sprinkler discharge.
Stabilize vertical piping.
INSTALLATION - Per these instructions including NFPA 13, 13R, 13D and CPVC manufacturers instructions.
Install on horizontal or vertical mounting surface.
ASSEMBLY/ATTACHMENT - See drawings.



SPECIAL **FASTENERS PER NFPA 13 - See table.**

FEATURES

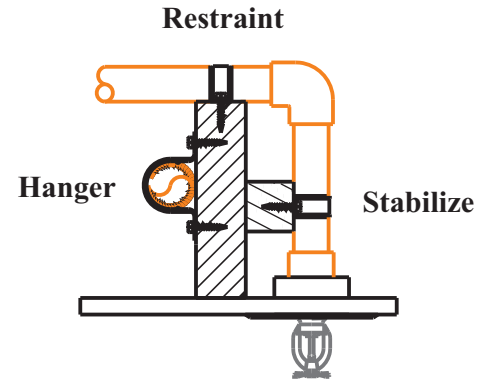
- * Offset edge eliminates abrasion.
- * Retainer dimples secure hanger to pipe during installation.

ORDERING - Part # and pipe size.

MOUNTING FASTENERS			
Pipe	Wood	Wood - Thru 5/8" Gyp	Steel - Min. 18 GA.
CPVC	#905 or #10 x1 SMS	#14 x 1 1/2 SMS or 1/4 x 2 LS	#14 or 1/4 Tek
Steel/Copper	#14 x 1 1/2 SMS or 1/4 x 1 1/2 LS	#14 x 2 SMS or 1/4 x 2 LS	#14 or 1/4 Tek

SMS = Sheet Metal Screw
LS = Lag Screw
Gyp = Gypsum Board
Tek = Tek Screw

AFCON #905 screw - custom 5/16" hex head.



Specific AFCON products are exclusively designed to be compatible ONLY with other AFCON products including parts and fasteners, resulting in a listed sway brace, restrainer or hanger assembly. Be advised the following warranty restriction will apply. **DISCLAIMER** - AFCON will NOT warrant against the failure of its products when used in combination with other products, parts or systems not manufactured or sold by AFCON. AFCON shall NOT be liable under any circumstances whatsoever for any direct or indirect, incidental or consequential damages of any kind, including but not limited to loss of business or profit, when non-AFCON products have been, or are used.

