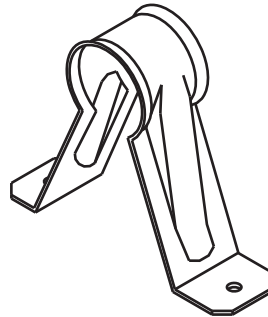




P.O. Box 3365 South El Monte, CA 91733 626.444.0541 Fax 626.444.3887 www.Afcon.org

514

OFFSET CPVC HANGER



SIZE - 3/4" thru 3" pipe.

MATERIAL - Carbon Steel.

FINISH - Mil. Galvanized..

LISTING/APPROVAL -

 **203 - EX 4231, EX 2551**

PATENT - No. 6,648,278.

FUNCTION - 3/4"-2" Hanger/restrainer for horizontal CPVC, Copper or Steel pipe. Listed hanger/restrainer in all 3 mounting positions, i.e. vertical surface and both top and bottom of horizontal surface. Provides listed vertical/lateral restraint and prevents upward movement of pipe that supplies a pendent sprinkler below a ceiling.

Size 2 1/2" Hanger for horizontal CPVC pipe. Listed hanger in all 3 mounting positions, i.e. vertical surface and both top and bottom of horizontal surface.

Size 3" Hanger for horizontal CPVC pipe in two mounting positions, side and bottom, i.e. vertical surface and bottom of horizontal surface.

Stabilizes vertical piping by providing horizontal restraint.

INSTALLATION - Per NFPA 13, 13R and 13D.

Space by pipe type. Install on wood, concrete or steel - See Drawings.

Snap over pipe then squeeze strap back allowing pipe to slide freely.

When #905 threads are exposed in wood, install #906 backing nut.

SPECIAL NOTE: When installing on CPVC sprinkler system pipe:

Verify that all assembly components are cleaned of any surface oil.

FASTENERS - UL Listed per NFPA 13

WOOD - 3/4" - 3" CPVC pipe - #905 screw- no pre-drill.
 3/4" - 2" Copper pipe - #905 screw- no pre-drill.
 3/4" - 2" Steel pipe - 1/4"x1 1/2" lag screw - no pre-drill.
 Thru 5/8" gypsum board - 1/4" x 2" lag screw.

STEEL - min. 18 GA. - 3/4" - 3" CPVC pipe - 1/4" or #14 Tek Screw.
 3/4" - 2" Copper pipe - 1/4" or #14 Tek Screw.
 3/4" - 2" Steel pipe - 1/4" or #14 Tek Screw.

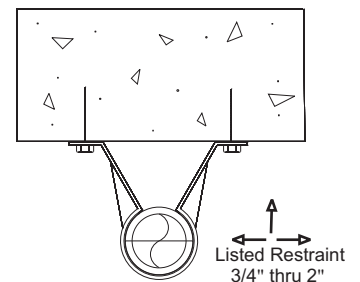
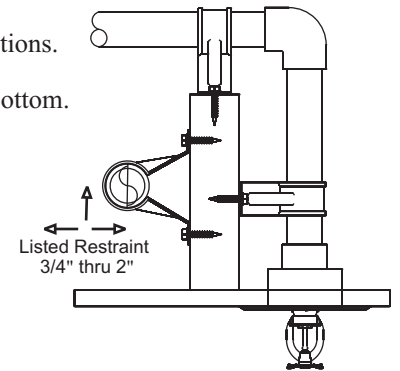
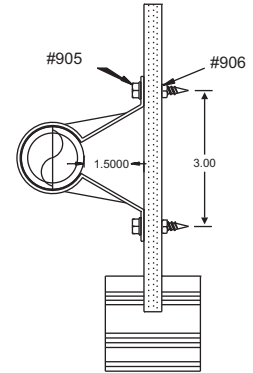
CONCRETE: Required minimum load each fastener = $\frac{5(wt)+250lbs.}{2}$

FEATURES

- * 1 1/2" Offset - loose fit allows pipe to slide.
- * 3/4" and 1" pipe size made with common center-line.
- * Patented design for superior strength.
- * Offset edge eliminates abrasion.
- * AFCON #905 screw has 5/16" hex head - included.

ORDERING - Part # and pipe size.

AFCON #906 backing nut sold separately.



Specific AFCON products are exclusively designed to be compatible ONLY with other AFCON products including parts and fasteners, resulting in a listed sway brace, restrainer or hanger assembly. Be advised the following warranty restriction will apply. **DISCLAIMER** - AFCON will NOT warrant against the failure of its products when used in combination with other products, parts or systems not manufactured or sold by AFCON. AFCON shall NOT be liable under any circumstances whatsoever for any direct or indirect, incidental or consequential damages of any kind, including but not limited to loss of business or profit, when non-AFCON products have been, or are used.

