

Fastener Installation Guideline

In CONCRETE

Post - Installed Anchor

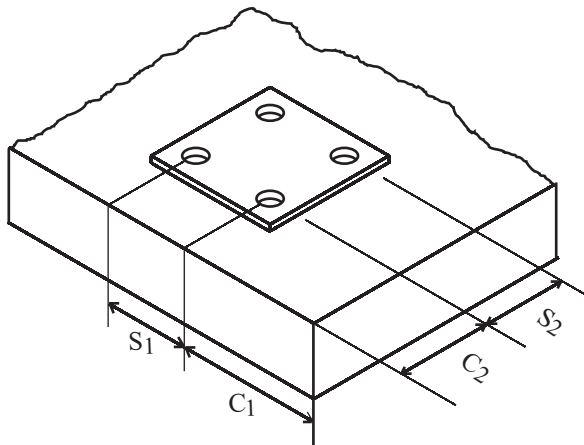


Fig. 1

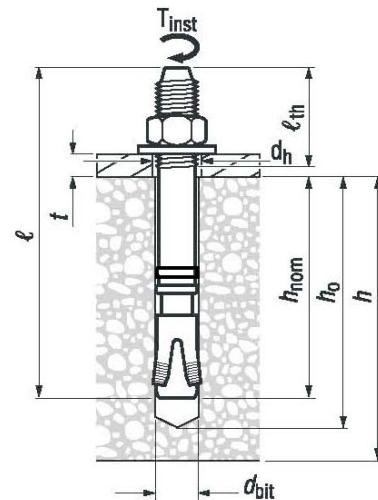


Fig. 2

Nomenclatures:

- d**nominal = Diameter of Bolt
- h**nominal = Embedment Depth = 8 x **d**nominal (generally)
- S**critical = Spacing between two adjacent CEAs = 2 x **h**nominal
- C**critical = Concrete Edge Distance = 3 x **h**minimum (shear)

Pull and Shear allowable depends on **d**nominal, **h**nominal, **S**critical, **C**critical and Concrete strength (psi)

In WOOD

Screw

(Reference : Mark's Handbook of Mechanical Engineering)

- Diameter of Wood Screw = **d**
- Spacing / Edge distance = 7 x **d**
- Embedment Depth = 7 x **d**