



553

## SIDE BEAM CONNECTOR

**SIZE** - 3/8" rod - 1/2" thru 4" pipe sizes

**MATERIAL** - Carbon Steel.

**FINISH** - Plain and Electro-Galvanized.

**LISTINGS** -  **EX 2551**

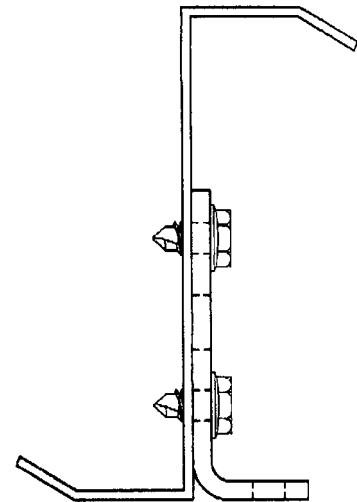
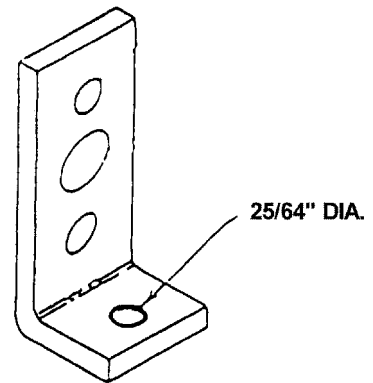
**FUNCTION** - To support piping from wood, concrete or steel beams.

**INSTALLATION** -per NFPA #13 - 3/8" and 1/2" fasteners in center hole.  
Also per NFPA #13 additional UL listed fasteners per chart below.

**FEATURES**

- \* Listed to hang with a single fastener.
- \* Allows vertical double fastener installation, which:  
Stops splitting along wood grain.  
Hangs plumb from first fastener for easy installation.
- \* Through hole allows use of 3/8" nut on hanger rod.
- \* **No speed/pal nuts** required.

**ORDERING** - Part # and finish.



UL LISTED PER NFPA - 13					
Wood - No Pre Drill			Steel - 1/4" or #14 Tek		
Tested Fastener	Qty.	Pipe Size	Tested Thickness	Qty.	Pipe Size
#14x1 1/2 S.M.S.	1	2	14 GA.	1	3
#14x2 S.M.S.	2	4		2	4
1/4 x 2 Lag Bolt	1	2 1/2	16 GA.	1	2
1/4 x 2 Lag Bolt	2	4		2	3
#16x2 D.S.	2	2	18 GA.	2	2 1/2