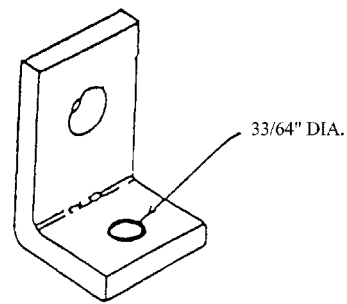




556

SIDE BEAM CONNECTOR



SIZE - 5" thru 8" pipe (1/2" rod).

MATERIAL - Carbon Steel.

FINISH - Plain, HDG and Electro-Galvanized.

LISTINGS -

 **EX 2551**

FUNCTION - The bracket is used to support hangers from **steel** or **wood** beams. Can be used with concrete inserts.

INSTALLATION - Per NFPA #13

5" and 6" pipe, use 1/2" fastener in wood or steel.

8" pipe, use 5/8" fastener in wood or steel.

FEATURES

* Through hole allows easy adjustment of hanger rod.

ORDERING - Part # and finish.