



P.O. Box 3365 South El Monte, CA 91733 626.444.0541 Fax 626.444.3887 www.Afcon.org

## 611

### CEILING PLATE

**SIZE** - 3/8" Rod.

**MATERIAL** - Carbon Steel.

**FINISH** - Plain or E.G.

**LISTINGS** -  **us 203 - EX 2551**

**FUNCTION** - Listed to support max. 4" Steel, CPVC or Copper pipe.  
Listed hanger component per NFPA 13.

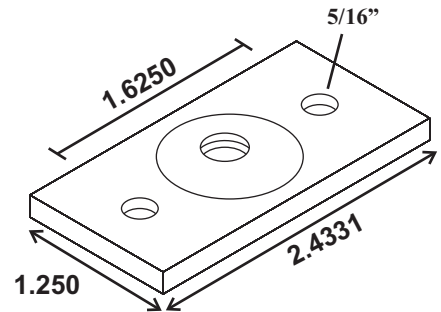
**INSTALLATION** - Per NFPA 13. Space by pipe type.  
Install on horizontal mounting surface of wood, concrete or steel.  
May also be welded.

**ADDITIONAL UL LISTED FASTENERS PER NFPA 13 FOR STEEL PIPE LOADS -SEE TABLES.**

**FEATURES**

- \* Offset allows 3/16" thread through zone on rod.
- \* Self centers in web joist cord space - See drawing.

**ORDERING** - Part # and finish.



| Wood - No Pre Drill     |           |           | Steel - 1/4" or #14 Tek |           |           |
|-------------------------|-----------|-----------|-------------------------|-----------|-----------|
| Min. Fastener           | Min. Qty. | Max. Pipe | Min. Thickness          | Min. Qty. | Max. Pipe |
| 1/4 x 1 1/2" Lag Bolt   | 2         | 3         | 16 GA.                  | 2         | 2         |
| #14 x 1 1/4" Wood Screw | 2         | 2         |                         |           |           |
| #14 x 1 1/4" SMS        | 2         | 2         |                         |           |           |
| #14 x 1 1/2" SMS        | 2         | 3         |                         |           |           |

