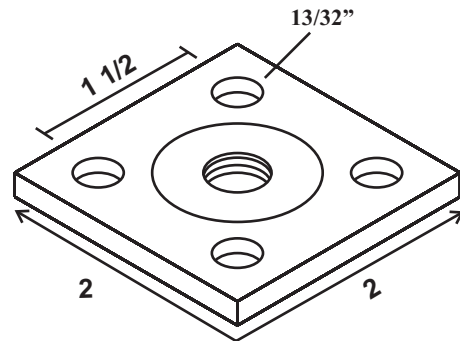




P.O. Box 3365 South El Monte, CA 91733 626.444.0541 Fax 626.444.3887 www.Afcon.org

## 612

### CEILING PLATE




**SIZE** - 1/2" Rod.

**MATERIAL** - Carbon Steel.

**FINISH** - Plain or E.G.

**LISTINGS** -

 **203 - EX 2551**

**FUNCTION** - Listed to support max. 6" Steel, CPVC or Copper pipe.  
Listed hanger component per NFPA 13.

**INSTALLATION** - Per NFPA 13. Space by pipe type.  
Install on horizontal mounting surface of wood.  
May also be welded.

**ADDITIONAL UL LISTED FASTENERS PER NFPA 13  
FOR STEEL PIPE LOADS -SEE TABLE.**

#### FEATURES

\* **Enhanced mounting ability.**

\*Offset allows 3/16" thread through zone on rod.

**ORDERING** - Part # and finish.

<b>Wood - No Pre Drill</b>		
<b>Min. Fastener</b>	<b>Min. Qty.</b>	<b>Max. Pipe</b>
3/8" x 2" Lag Bolt	2	3

