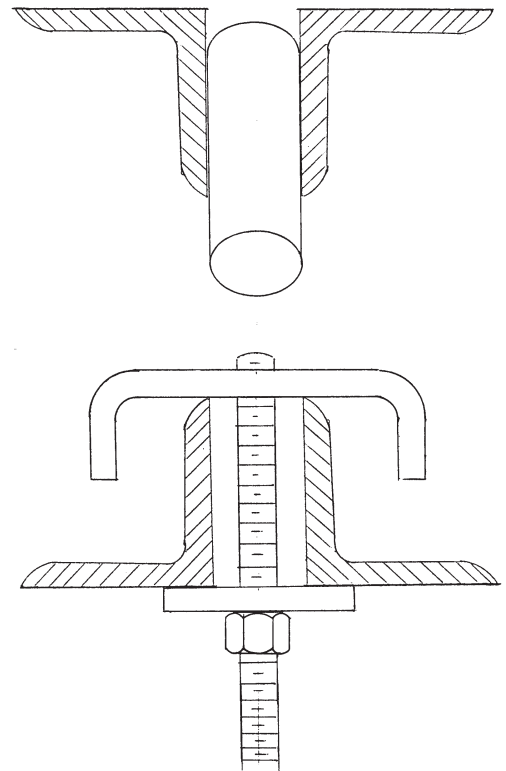
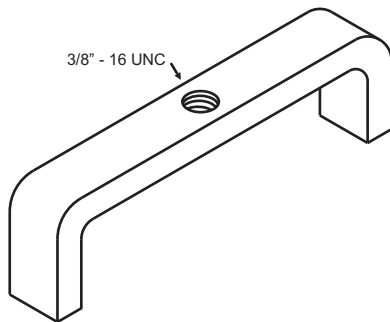




P.O. Box 3365 South El Monte, CA 91733 626.444.0541 Fax 626.444.3887 www.Afcon.org

964 TAPPED WEB CLAMP



SIZE - 1/2 thru 4 inch pipe.

MATERIAL - Carbon Steel.

FINISH - Plain and E.G.

LISTINGS -  **us 203-EX 2551**

FUNCTION - Threaded clamp used to support 3/8" hanger rod on Web Joist - Bottom Cord.

INSTALLATION - Install per NFPA 13 through min. 3/4" web space.

FEATURES - Design allows hanger rod adjustment.

ORDERING - Part # and finish.

