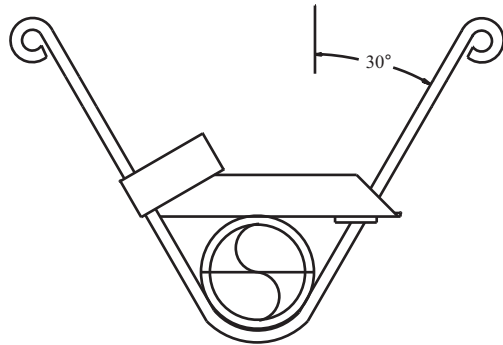
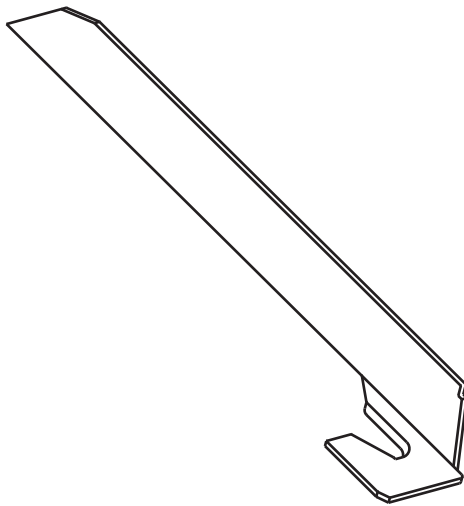




P.O. Box 3365 South El Monte, CA 91733 626.444.0541 Fax 626.444.3887 www.Afcon.org

225

RETRO WRAP AROUND U-HOOK



SHOWN PRIOR TO CRIMPING WITH TAB BENT OVER

SIZE - 1 thru 2 inch pipe.

MATERIAL - Carbon Steel.

FINISH - Mil. Galvanized.

LISTINGS -



PATENT - NO. 5,967,480

FUNCTION - Convert standard U-hook to a wrap around U-hook.

Special Note: This product is not designed nor intended to prevent upward movement of pipe that supplies a pendent sprinkler below the ceiling - use #300 with #310

INSTALLATION - Per NFPA 13 on 10° or 30° U-hook.

Per drawings with minimum return bend of 1 3/4 inch.

To complete installation - "Crimp Tight" at location 'A'

FEATURES

* Economical alternative to wraparound U-hook.

* Eliminates pipe insertion problems typical to wraparound U-hooks.

ORDERING -Part # and type.

