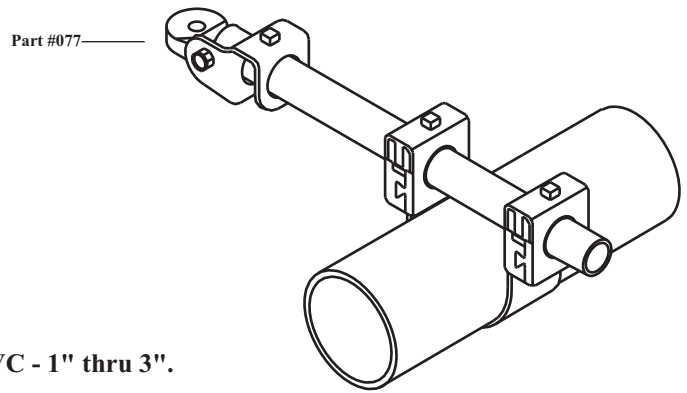
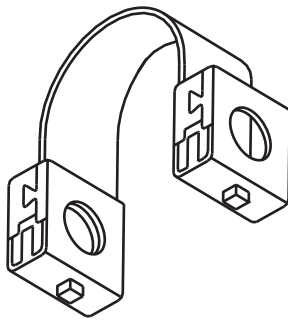




P.O. Box 3365 South El Monte, CA 91733 626.444.0541 Fax 626.444.3887 www.Afcon.org

030/040

SWAY BRACE FITTING - MODEL K



SIZE - Sprinkler system pipe:

Steel - 1" thru 10" Schedule 7 thru 40 and CPVC - 1" thru 3".

Can be used to brace Copper, Plastic, FRP, Ductile and Cast iron when OD matches the above.

SIZE - Sway brace assembly pipe: Steel 1" or 1 1/4" Schedule 10 and 40.

MATERIAL - Carbon Steel.

FINISH - Plain, E.G. and H.D.G.

LISTING/APPROVAL -

 **203A-EX 2625**

Listed only for use with other AFCON bracing products.

OSHPD OPA-0601 See Website.

PATENTS - No. 4,697,770 and No. 6,508,441

FUNCTION - Per NFPA 13. Sway brace fitting of a lateral sway brace assembly. To form a 4-way brace on vertical piping, arrange adjacent lateral sway braces.

INSTALLATION - Per NFPA 13 and CPVC manufacturers instructions. Place Model K over pipe to be braced.

Insert brace pipe through MODEL "K", leaving 1" minimum extension beyond.

Tighten set screws until heads contact the bracket.

SPECIAL NOTE: When installing on CPVC sprinkler system pipe:

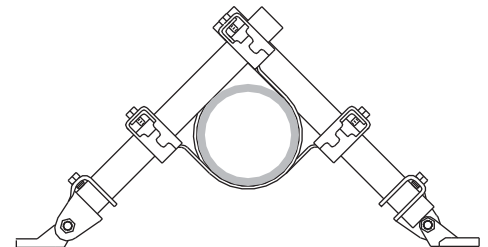
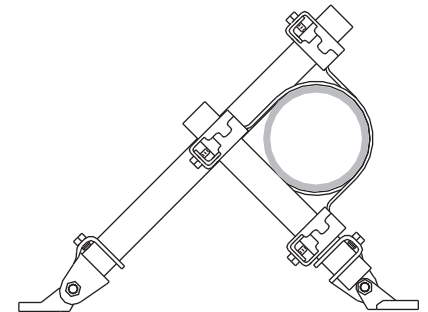
Verify that all assembly components are cleaned of any surface oil.

ASSEMBLY - Per NFPA 13. Combine with AFCON 70 series structure attachment fitting and pipe brace element forming a complete sway brace.

FEATURES

- * UL Horizontal Load Rating for **all sizes** Schedule 7 thru 40 = **2765#**
- * UL Horizontal Load Rating for 1" thru 3" CPVC = **2765#**
- * Visual inspection, proper installation when set screw heads contact brackets.

ORDERING - Part #, pipe size to be braced, brace pipe size and finish.



Specific AFCON products are exclusively designed to be compatible ONLY with other AFCON products including parts and fasteners, resulting in a listed sway brace, restrainer or hanger assembly. Be advised the following warranty restriction will apply. **DISCLAIMER** - AFCON will NOT warrant against the failure of its products when used in combination with other products, parts or systems not manufactured or sold by AFCON. AFCON shall NOT be liable under any circumstances whatsoever for any direct or indirect, incidental or consequential damages of any kind, including but not limited to loss of business or profit, when non-AFCON products have been, or are used.

