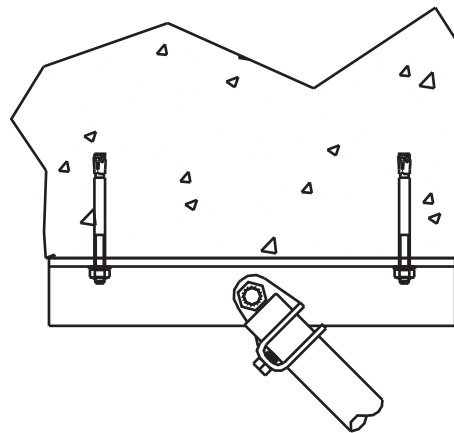
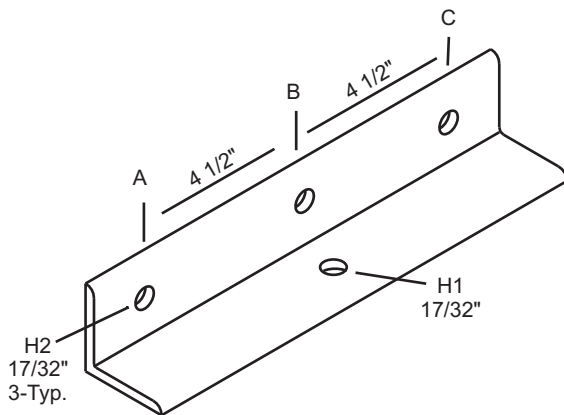




P.O. Box 3365 South El Monte, CA 91733 626.444.0541 Fax 626.444.3887 www.Afcon.org

080

## FASTENER ADAPTER



**SIZE** - 2 x 12

**MATERIAL** - Carbon steel.

**FINISH** - Plain, E.G., H.D.G or S.S.

**LISTING/APPROVAL** - OSHPD OPA-0601 See Website.

**ENGINEERED** - Per NFPA 13.

Certified by registered professional engineer - Available upon request.

**FUNCTION** - Adapter for 2 or 3 fasteners. Provides NFPA 13 support for hanger or sway brace assembly consisting of AFCON 001 thru 078 components.

**INSTALLATION** - Per NFPA 13, click CAD button on website for more details.

### FEATURES

- \* Engineered bracket for 2015# load.
- \* Holes for 1/2" fasteners provided.
- \* Can be ordered with custom holes.

**ASSEMBLY** - Attach AFCON hanger or sway brace assembly @ H2.

**ORDERING** - Part # and finish.

**NOTE** - See "Fastener Installation Guideline" - at [www.afcon.org](http://www.afcon.org)  
This provides generic fastener reference information.

Specific AFCON products are exclusively designed to be compatible ONLY with other AFCON products including parts and fasteners, resulting in a listed sway brace, restrainer or hanger assembly. Be advised the following warranty restriction will apply. **DISCLAIMER** - AFCON will NOT warrant against the failure of its products when used in combination with other products, parts or systems not manufactured or sold by AFCON. AFCON shall NOT be liable under any circumstances whatsoever for any direct or indirect, incidental or consequential damages of any kind, including but not limited to loss of business or profit, when non-AFCON products have been, or are used.

