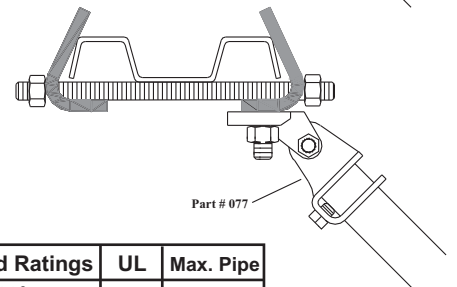
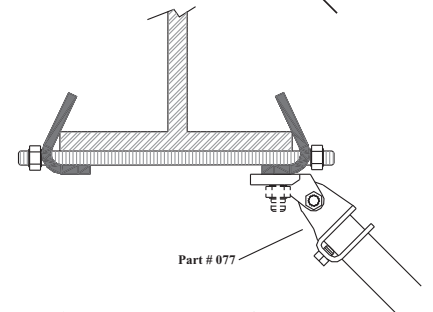
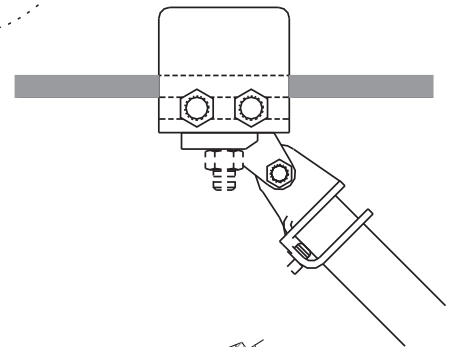
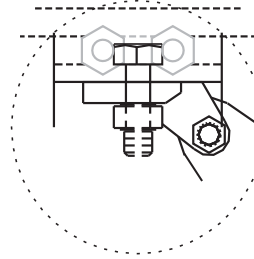
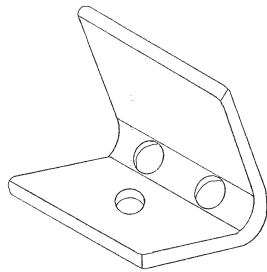




P.O. Box 3365 South El Monte, CA 91733 626.444.0541 Fax 626.444.3887 www.Afcon.org

086

SWAY BRACE ADAPTER



SIZE -SYSTEM PIPE - See Chart.
MATERIAL - Carbon Steel.
FINISH - Plain or E.G.
PATENT - No. 6,334,285
LISTING/APPROVAL -



203A-EX 2625, 203-EX 2551

Listed only for use with other *AFCON* bracing products.



FM Approved.

OSHDP OPA-0601-07 See Website

FUNCTION - Sway brace adapter for an *AFCON* sway brace assembly.
 Designed to attach to the horizontal flanges of a steel structural member.
 Sway brace assemblies are intended to be installed in accordance with NFPA 13 and the manufacturer's installation instructions.
 Additionally listed as an 8" hanger attachment.

INSTALLATION - Per NFPA 13 and these instructions.

Load rating - see chart.

Combine with proper *AFCON* components.

The structural members design will dictate specific attachment criteria.

ASSEMBLY - See drawing.

Insert 1/2" x 1 1/4" attachment bolt in **086** bracket. Install 1/2" studs thru both brackets and engage on steel flange. **Install nuts on studs finger tight, then additionally tighten 1 1/2 turns or torque to 40ft. lbs.**

Attach *AFCON* sway brace fitting, 070 series fittings, on 1/2" bolt.

* *Studs, fasteners and bolt furnished by customer.*

FEATURES

- * Fits 1/4" thru 1 1/4" flange thickness.
- * Studs capture head of bolt, providing hold back.
- * Alternative to center loading beam clamp.

ORDERING - Part # and finish.

Horizontal Load Ratings	UL	Max. Pipe
Parallel 30° thru 90°	1265	4"
Perpendicular 30° thru 90°	2015	8"
Horizontal Load Ratings	FM	
Parallel 30° thru 90°	2500	
Perpendicular 30° thru 90°	3000	

Specific *AFCON* products are exclusively designed to be compatible **ONLY** with other *AFCON* products including parts and fasteners, resulting in a listed sway brace, restrainer or hanger assembly. **Be advised** the following warranty restriction will apply. **DISCLAIMER** - *AFCON* will **NOT** warrant against the failure of its products when used in combination with other products, parts or systems not manufactured or sold by *AFCON*. *AFCON* shall **NOT** be liable under any circumstances whatsoever for any direct or indirect, incidental or consequential damages of any kind, including but not limited to loss of business or profit, when non-*AFCON* products have been, or are used.

