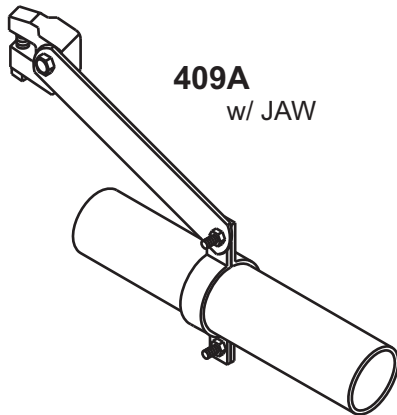




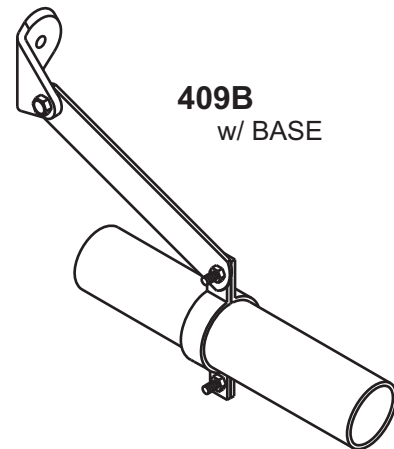
P.O. Box 3365 South El Monte, CA 91733 626.444.0541 Fax 626.444.3887 www.Afcon.org

## 409A / 409B

### SWAY BRACE ASSEMBLIES



**409A**  
w/ JAW



**409B**  
w/ BASE

**SIZE - SYSTEM PIPE:** Nominal

Sch. 7-40 Steel 1" - 4"

**MATERIAL** - Carbon Steel

**FINISH** - 409A Plain or E.G.

409B Plain, E.G. or S.S.

**PATENT** - No. 8,726,607B1

**LISTING/APPROVAL**



cUL LISTED	<b>Max. Horizontal Load</b>	
	30° -90°	1000

**FUNCTION** - 15" Longitudinal sway brace assembly.

**INSTALLATION** - Per these instructions including NFPA 13

15" link limits the centerline dimension of the system pipe.

**Load rating** - see chart.

**ASSEMBLY 409 A** - See drawing

Align link with 411 flanges.

Tighten 411 bolts until flanges are flat to flat.

Install jaw set bolt finger tight, then additionally tighten 1 1/2 turns or torque to 40 lb-ft.

**ASSEMBLY 409 B** - See drawing

Align link with 411 flanges.

Tighten 411 bolts until flanges are flat to flat.

**FEATURES**

\* Complete sway brace assembly, economical in product and dimension.

**ORDERING** - Part #, size - system pipe and finish.

**Special Note:** Shorter lengths available - consult factory.



Specific AFCON products are exclusively designed to be compatible ONLY with other AFCON products including parts and fasteners, resulting in a listed sway brace, restrainer or hanger assembly. Be advised the following warranty restriction will apply. **DISCLAIMER** - AFCON will NOT warrant against the failure of its products when used in combination with other products, parts or systems not manufactured or sold by AFCON. AFCON shall NOT be liable under any circumstances whatsoever for any direct or indirect, incidental or consequential damages of any kind, including but not limited to loss of business or profit, when non-AFCON products have been, or are used.