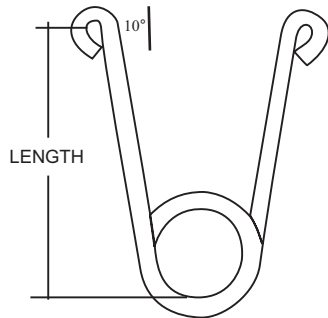




P.O. Box 3365 South El Monte, CA 91733 626.444.0541 Fax 626.444.3887 www.Afcon.org

**205
WRAPAROUND U-HOOK**



SIZE - 3/4 thru 2 inch pipe.
MATERIAL - Carbon Steel.
FINISH - Plain and E.G.
FUNCTION -To support piping from wood structure.
 Provide horizontal restraint of branch lines.
INSTALLATION - Per NFPA 13.

- FEATURES**
- * Common 10° leg angle
 - * NFPA 13 rod dimensions
 - * 30° leg angle available.

ORDERING - Part #, pipe size, including leg length in inches, leg angle and finish.

**207
UL
WRAPAROUND U-HOOK**

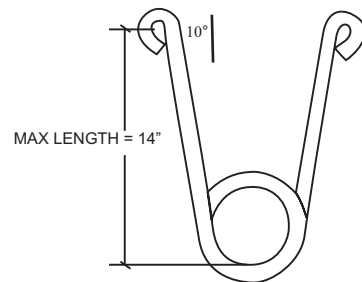
SIZE - 1 thru 3 inch pipe.
MATERIAL - Carbon Steel.
FINISH - Plain and E.G.


LISTING -  **203-EX 2551**

FUNCTION - To support piping from wood structure.
 Provide horizontal restraint of branch lines.
INSTALLATION - Per NFPA 13.
 Use fasteners per table.

- FEATURES**
- * Common 10° leg angle
 - * Smaller diameter rod.
 - * Small eyes to accommodate UL listed fasteners.
 - * 30° leg angle available.

ORDERING -Part #, pipe size, including leg length in inches, leg angle and finish.



 MOUNTING FASTENERS		
WOOD No Pre Drill		
Fastener Type	Qty. Fastener	Max Pipe Size
#16x2 Drive Screw	2	2
1/4 x 2 1/2 Lag Bolt	2	3

