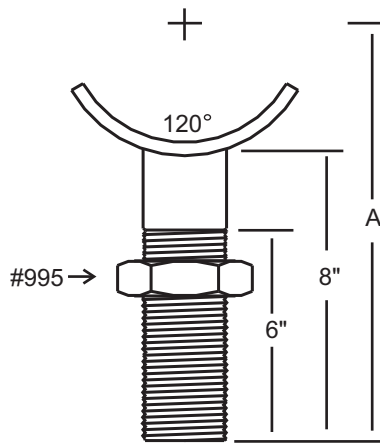




P.O. Box 3365 South El Monte, CA 91733 626.444.0541 Fax 626.444.3887 www.Afcon.org

707

ADJUSTABLE PIPE SUPPORT WITH SADDLE



PIPE SIZE	995 SIZE	A	WEIGHT/C (APPROX)
4	1 1/2	10 5/8	400
6	1 1/2	11 11/16	488
8	2	12 11/16	737
10	2	13 3/4	844

SIZE - 4 thru 10 inch pipe.

MATERIAL - Carbon Steel.

FINISH - Plain and E.G.

ENGINEERED - Per NFPA 13.

Certified by registered professional engineer - Available upon request.

MAXIMUM TEMP. - 650°F

FUNCTION - To support horizontal valves and fittings.

INSTALLATION - Per NFPA.

ORDERING - Part #, pipe size, and finish.

