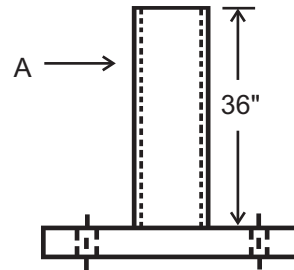
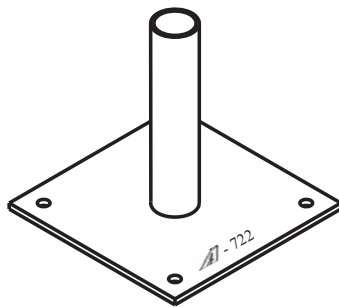




P.O. Box 3365 South El Monte, CA 91733 626.444.0541 Fax 626.444.3887 www.Afcon.org

## 722 PIPE STAND



**SIZE** - Fits #707 & #708

**MATERIAL** - Carbon steel.

**FINISH** - Plain.

**ENGINEERED** - Per NFPA 13.

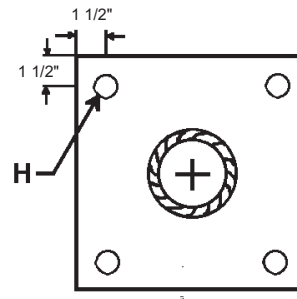
Certified by registered professional engineer - Available upon request.

**MAXIMUM TEMP.** - 650°F

**FUNCTION** - Provides NFPA 13 support when assembled with #707 or #708.

**INSTALLATION** - Per NFPA 13 assemble with #707 or #708. Cut 36" pipe to desired dimension.

**ORDERING** - Part # and pipe size.



# 722 SPECIFICATIONS				
PIPE SIZE	A	H	PLATE SIZE	APPROX WT./100
4	2"	9/16"	3/8 x 9 x 9	2700
6	2"	9/16"	3/8 x 9 x 9	2700
8	2 1/2"	11/16"	1/2 x 12 x 12	3900
10	2 1/2"	11/16"	1/2 x 12 x 12	3900

