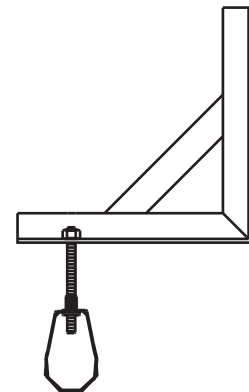
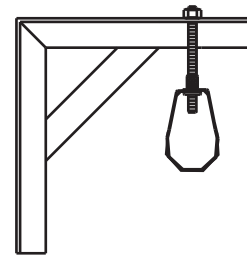
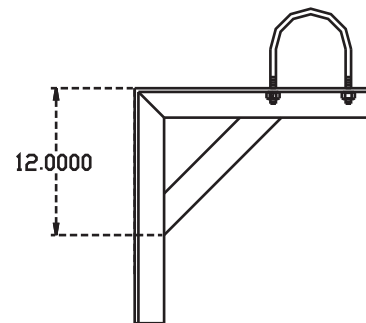
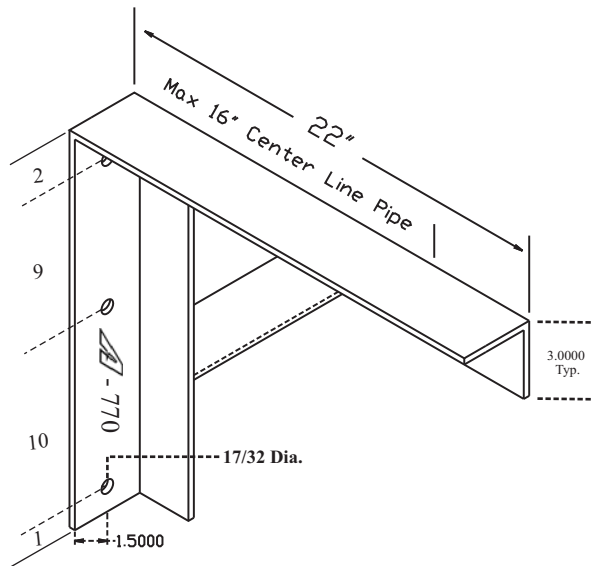




P.O. Box 3365 South El Monte, CA 91733 626.444.0541 Fax 626.444.3887 www.Afcon.org

770

PIPE BRACKET



LOAD RATING -1000 lbs.

MATERIAL - Carbon Steel.

FINISH - Plain, E.G. and H.D.G.

ENGINEERED -Per NFPA 13.

Certified by registered professional engineer - Available upon request.

FUNCTION - To support pipe, not exceeding rated load from vertical mounting surface.

INSTALLATION - Per NFPA 13, install pipe at max. 16" centerline. Complete assembly using **AFCON** U-bolt or rod hanger assembly as shown.

FASTENERS - Size as appropriate.

3 - 1/2" fastener holes provided.

When installing 2 fasteners -Do not use center hole.

ORDERING - Part # and finish.

