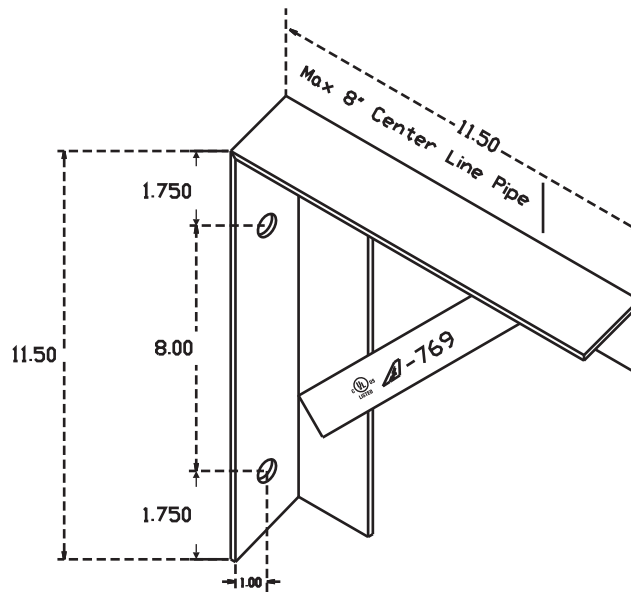




P.O. Box 3365 South El Monte, CA 91733 626.444.0541 Fax 626.444.3887 www.Afcon.org

769

## HANGER BRACKET



**Special Note:**  
When plain, incidental rust is typical.

**SIZE - SYSTEM PIPE:** 6" sch. 40 max.

**MATERIAL** - Carbon Steel.

**FINISH** - Plain and E.G.

**LISTING/APPROVAL** -



**FUNCTION** - To support piping from vertical mounting surface.

**INSTALLATION - Per these instructions**

including NFPA 13 and the fastener manufacturer.

Install pipe at **max. 8"** centerline.

Horizontal piping = 15' max. spacing.

Vertical piping = double to form riser support @ 25' max. spacing.

For RT/LT pair - drill flanges to match.

**FASTENERS** -

2 - 9/16" holes provided for 1/2" fasteners.

Fastener holes may be enlarged - consult **AFCON**.

**ORDERING** - Part # and finish.

**NOTE** - See "Fastener Installation Guideline" - at [www.afcon.org](http://www.afcon.org)

