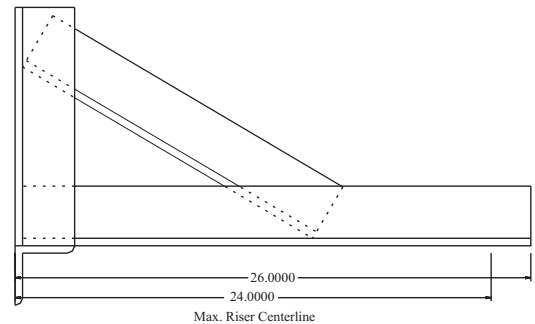
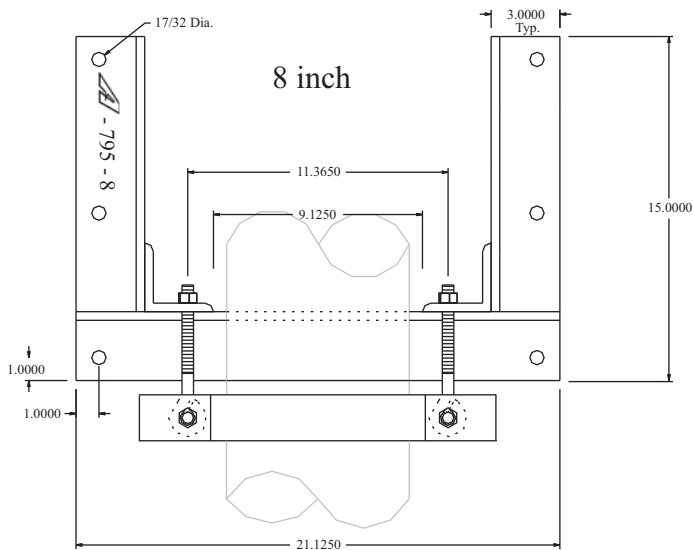




P.O. Box 3365 South El Monte, CA 91733 626.444.0541 Fax 626.444.3887 www.Afcon.org

795

RISER BRACKET



SIZE- 6 or 8 inch pipe
LOAD RATING -1000 or 1500 lbs.
MATERIAL - Carbon Steel.
FINISH - Plain, E.G. and H.D.G.
ENGINEERED - Per NFPA 13.
Certified by registered professional engineer.
Available with order.
FUNCTION - To support system riser from vertical mounting surface.
INSTALLATION - Per NFPA 13.
Install riser at max. 24" centerline.
ASSEMBLY - Per NFPA 13.
Combine with proper *AFCON* components.
FASTENERS -
6 - fastener holes, maybe enlarged.
Do not use center holes when installing 4 fasteners.
ORDERING - Part #, finish, pipe size and load rating.

